

4. Electronic Tachometer With Operating Hours Counter (dia. 80 mm / dia.100 mm) only for VDO cockpit international

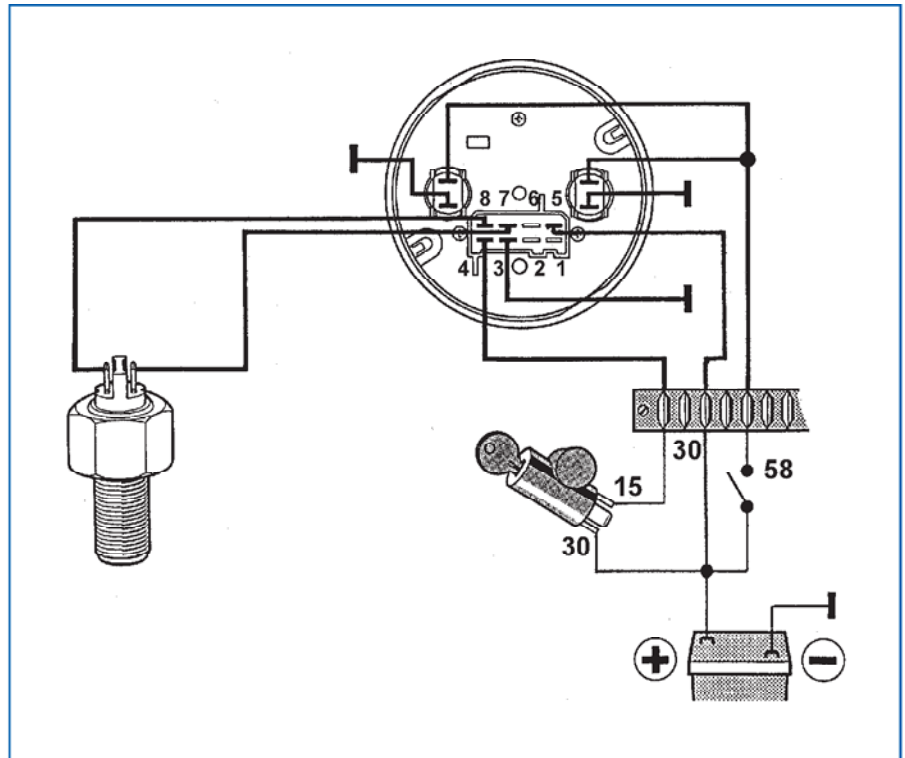
4.4 Wiring Diagrams

Inductive sensor (2 signal wires)

Note:



Pin 5 is not available on instruments produced before week 18/99.

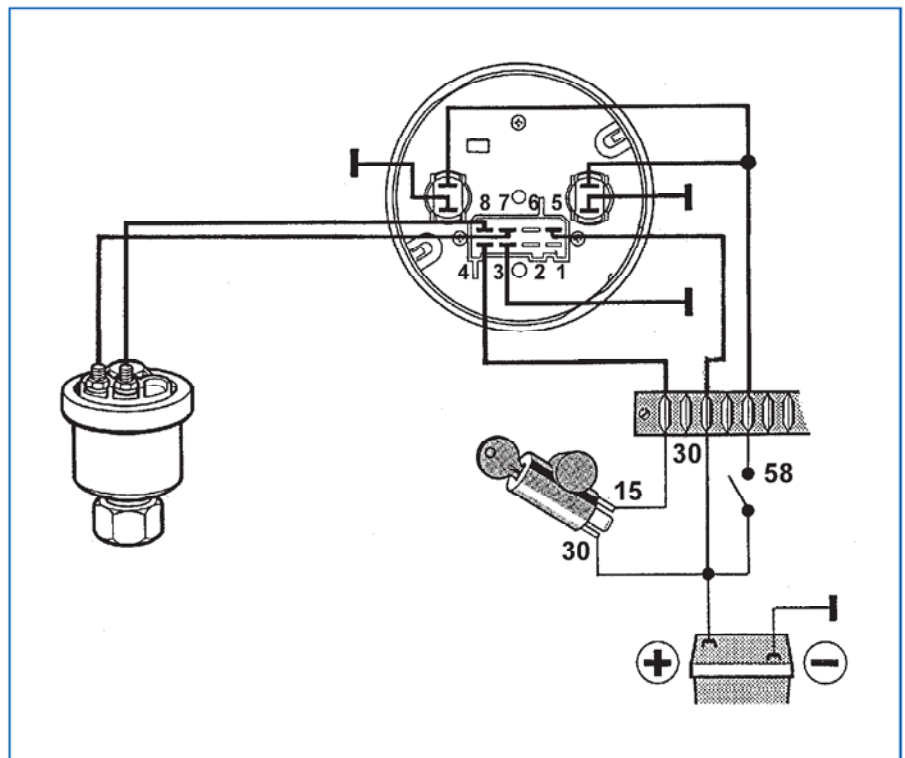


Generator sensor (2 signal wires)

Note:



Pin 5 is not available on instruments produced before week 18/99.



4. Electronic Tachometer With Operating Hours Counter (dia. 80 mm / dia.100 mm) only for VDO cockpit international

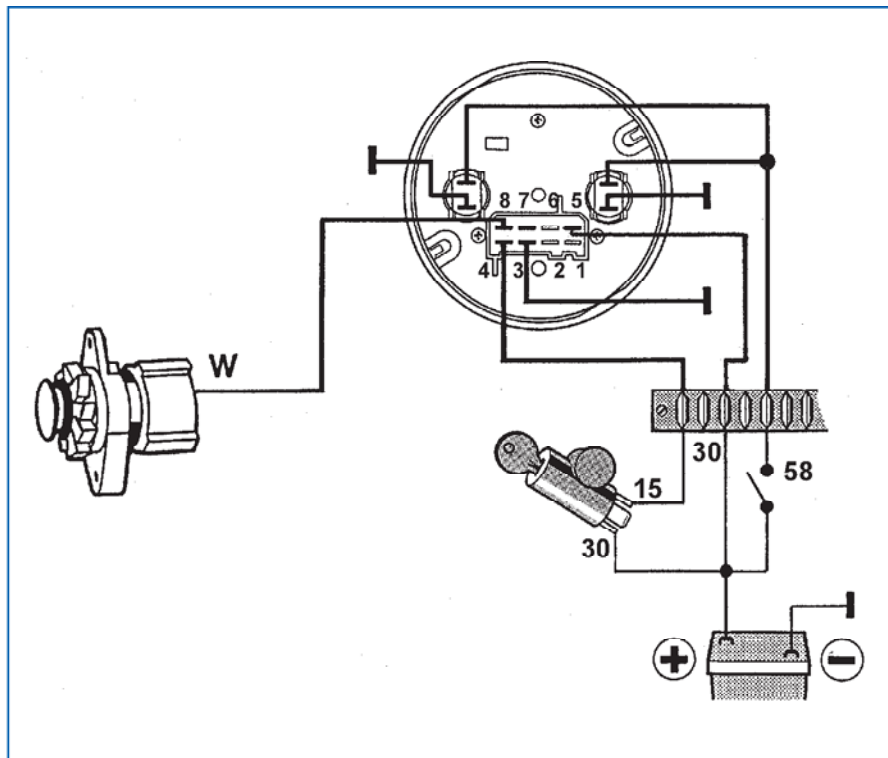
4.4 Wiring Diagrams

Alternator

Note:



Pin 5 is not available on instruments produced before week 18/99.



Conventional ignition system (one or more ignition coils)

Note:



Pin 5 is not available on instruments produced before week 18/99.

